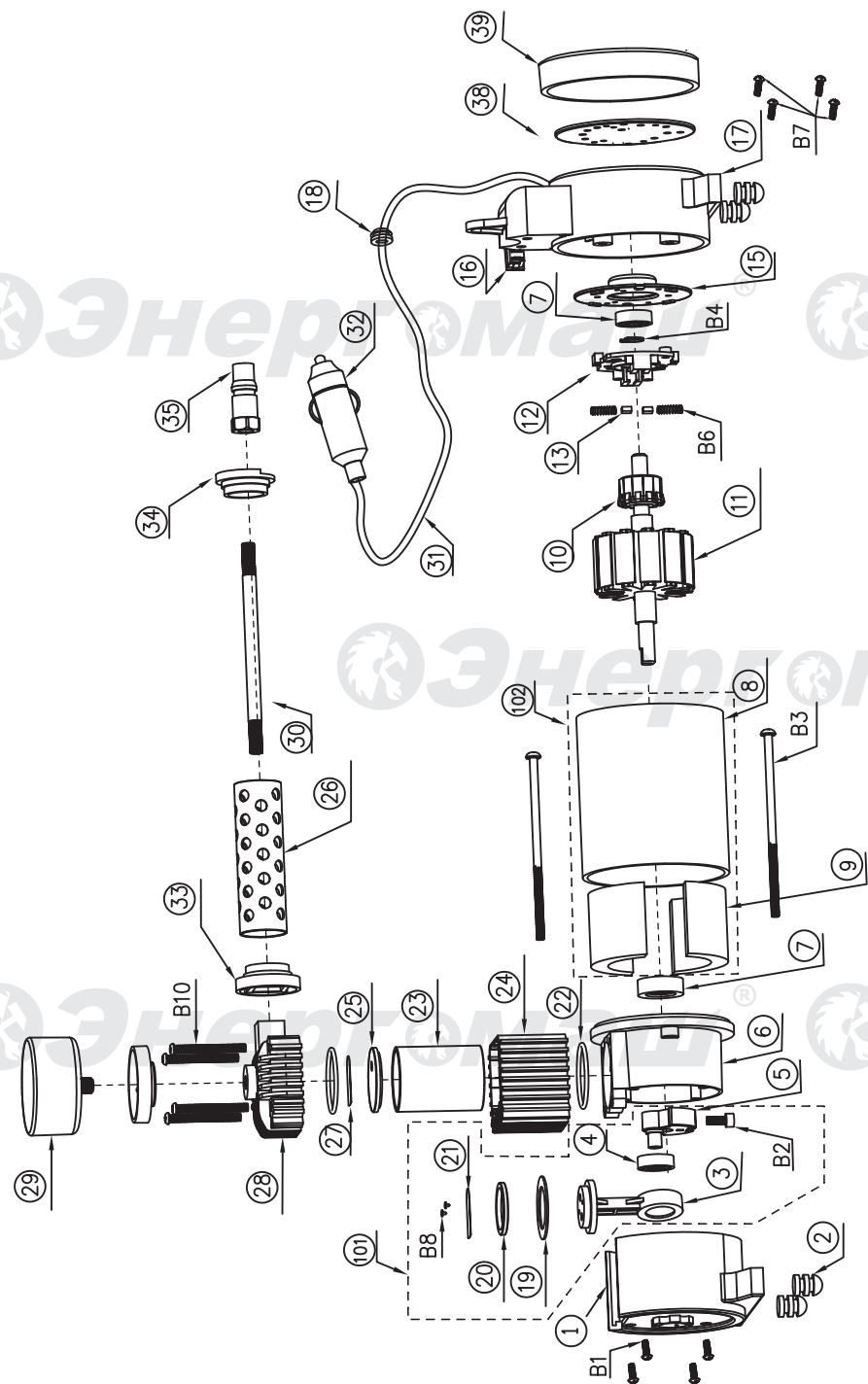


## AK-8835L



| NO. | DESCRIPTION          | NO. | DESCRIPTION               |
|-----|----------------------|-----|---------------------------|
| 1   | LEFT COVER           | 30  | BREATHER PIPE             |
| 2   | RUBBER FOOT          | 31  | CABLE                     |
| 3   | CONNECTION ROD       | 32  | CIGARETTE PLUG            |
| 4   | BEARING              | 33  | HANDLE RUBBER PAD (left)  |
| 5   | ECCENTRIC WHEEL      | 34  | HANDLE RUBBER PAD (right) |
| 6   | BRACKET              | 35  | QUICK CONNECTOR           |
| 7   | BEARING              | 38  | LED CHIP                  |
| 8   | MOTOR HOUSING        | 39  | LED COVER                 |
| 9   | STATOR               | 101 | CONNECTION ROD ASSEMBLY   |
| 10  | ADJUST PIECE         | 102 | MOTOR HOUSING AND STATOR  |
| 11  | ROTOR                | B1  | SCREW                     |
| 12  | BRUSH HOLDER         | B2  | SCREW                     |
| 13  | CARBON BRUSH         | B3  | BOLT                      |
| 15  | BEARING HOLDER       | B4  | CIRCLIP                   |
| 16  | ON/OFF SWITCH        | B6  | SPRING                    |
| 17  | RIGHT COVER          | B7  | SCREW SPRING              |
| 18  | CABLE SLEEVE         | B8  | RIVET                     |
| 19  | PISTON RING          | B10 | BOLT                      |
| 20  | PISTON PRESSURE RING |     |                           |
| 21  | AIR WASHER           |     |                           |
| 22  | O RING               |     |                           |
| 23  | CYLINDER BUSH        |     |                           |
| 24  | RADIATOR             |     |                           |
| 25  | AIR PROOF LOCK       |     |                           |
| 26  | HANDLE               |     |                           |
| 27  | PRESSURE PIECE       |     |                           |
| 28  | CYLINDER COVER       |     |                           |
| 29  | AIR PRESSURE METER   |     |                           |

RU-EN20161117